






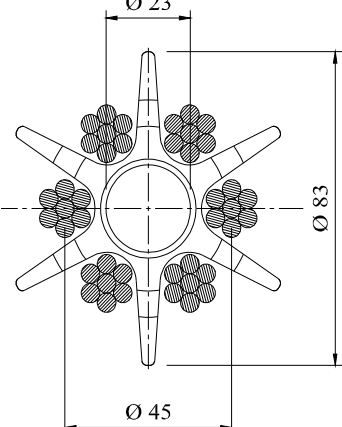

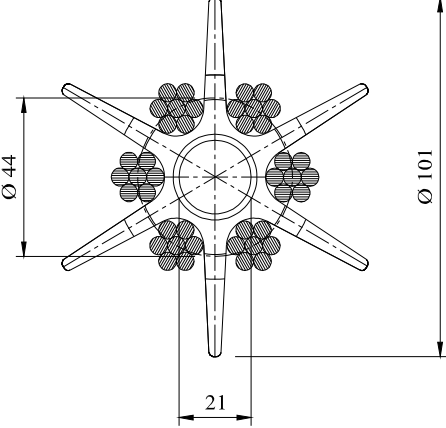

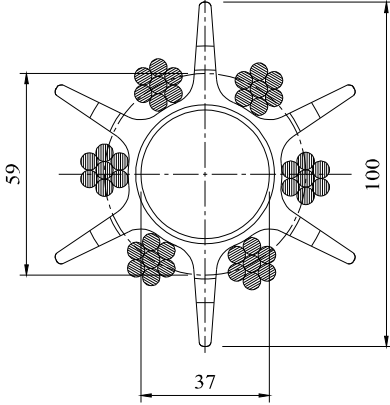

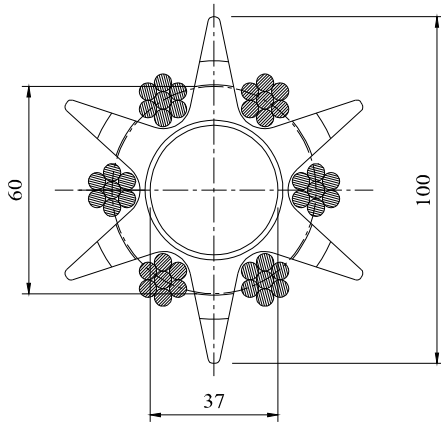
	DD21016	Centralizer DD13x43-CT Weight/pc.: 0.160 kg/pc. Colour.: Blue/Black
	DD 21014	Centralizer DD08x43-CT Weight/pc.: 0.125 kg/pc. Colour.: Yellow/Black
	DD 21013	Centralizer DD06x43-CT Weight/pc.: 0.105 kg/pc. Colour.: Yellow/Black
	DD21012	Centralizer DD08x34-CT Weight/pc.: 0.120 kg/pc. Colour.: Yellow/Black
	DD 21011	Centralizer DD06x34-CT Weight/pc.: Not produced 0.000 kg/pc. Colour.: Yellow/Black
	DD21008	Centralizer DD06x34-CT/B Weight/pc.: 0.128 kg/pc. Colour.: Yellow/Black
	DD21009	Centralizer DD06x20-CT Weight/pc.: 0.073 kg/pc. Colour.: Yellow/Black
	DD21007	Centralizer DD06x20CT-100 Weight/pc.: NOT ISSUED Colour.: Yellow/Black

The designer should consider that the direct contact between adjacent strands or between strands and grouting tubes (which does not allow a 5 mm coverage for each strand) causes a reduction of the adherence resistance between the strand and the grouting mixture. This reduction must be taken into account when dimensioning the length of the strand anchorage with the grouting mixture.

DIMENSIONS AND TOLERANCES

 <p>Centralizer/spacer type DD06x20CT</p>	<p>Centralizer type DD06x20CT</p> <p>Dimensions:</p> <ul style="list-style-type: none"> - Diameter 83 mm +/- 3 mm - Length 90 mm +/- 3 mm - Hole 23 mm - 2 + 2 mm 
 <p>Centralizer/spacer type DD06x20CT-100</p>	<p>Centralizer type DD06x20CT-100</p> <p>Dimensions:</p> <ul style="list-style-type: none"> - Diameter 101 mm +/- 3 mm - Length 90 mm +/- 3 mm - Hole 21 mm - 1 + 2 mm 
 <p>Centralizer/spacer type DD06x34CT</p>	<p>Centralizer type DD06x34CT</p> <p>Dimensions:</p> <ul style="list-style-type: none"> - Diameter 100 mm +/- 3 mm - Length 90 mm +/- 3 mm - Hole 37 mm - 1 + 2 mm 

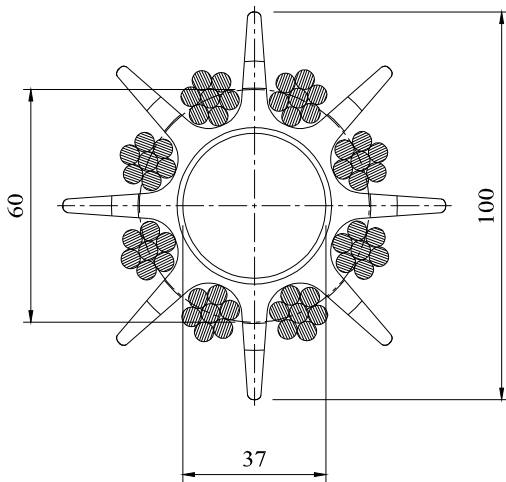


Centralizer/spacer type DD06x34CT/B

Centralizer type **DD06x34CT/B**

Dimensions:

- Diameter 100 mm +/- 3 mm
- Length 90 mm +/- 3 mm
- Hole 37 mm +/- 2 mm

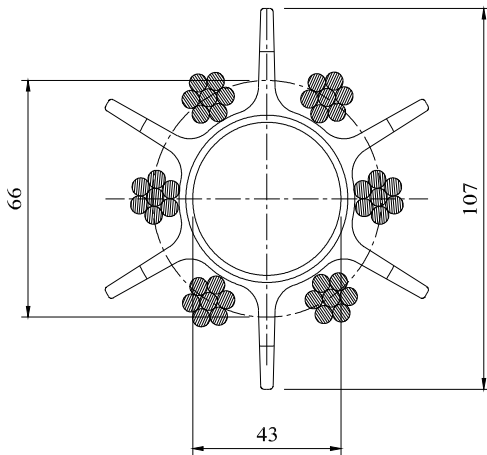


Centralizer/spacer type DD08x34CT

Centralizer type **DD08x34CT**

Dimensions:

- Diameter 100 mm +/- 3 mm
- Length 90 mm +/- 3 mm
- Hole 37 mm +/- 2 mm



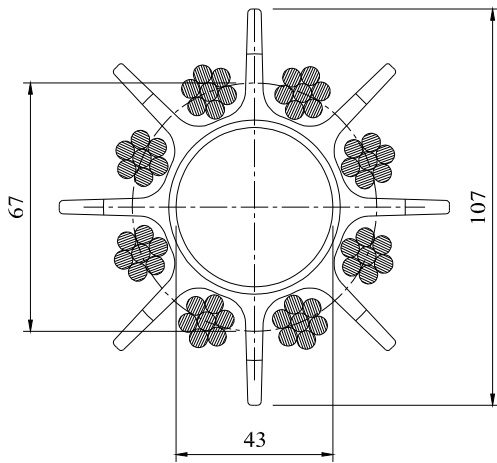
Centralizer/spacer type DD06x43-CT

Centralizer type **DD06x43CT**

Dimensions:

- Diameter 107 mm +/- 3 mm
- Length 90 mm +/- 3 mm
- Hole 43 mm +/- 2 mm



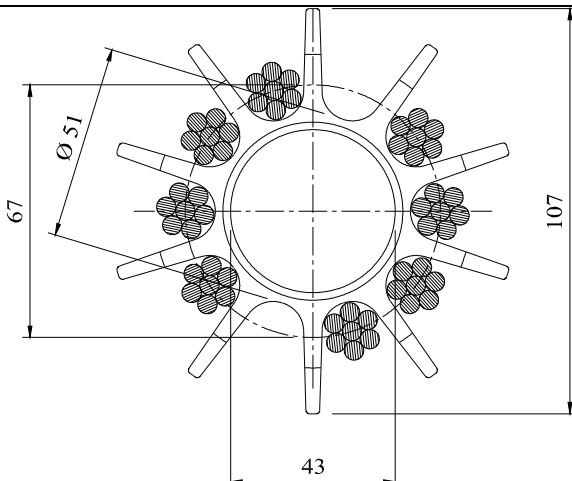


Centralizer/spacer type DD08x43CT

Centralizer type DD08x43CT

Dimensions:

- Diameter 107 mm +/- 3 mm
- Length 90 mm +/- 3 mm
- Hole 43 mm +/- 2 mm

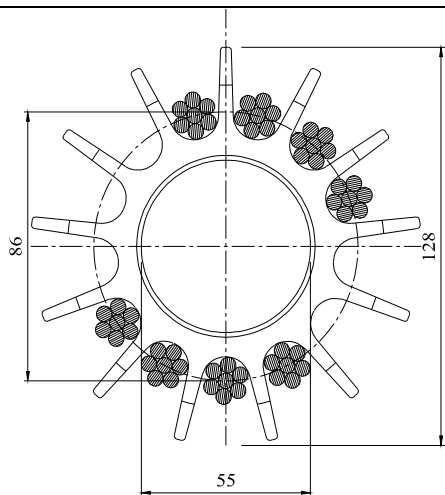


Centralizer/spacer type DD10x43CT

Centralizer type DD10x43CT

Dimension:

- Diameter 107 mm +/- 3 mm
- Length 90 mm +/- 3 mm
- Hole 43 mm +/- 2 mm



Centralizer/spacer type DD13x43CT

Centralizer type DD13x43CT

Dimensions:

- Diameter 128 mm +/- 3 mm
- Length 90 mm +/- 3 mm
- Hole 55 mm +/- 2 mm

