



DD-SF SPHERICAL SUPPORTS

DD-SF spherical supports are recommended for the installation of temporary and permanent inclined ground anchors, offering the installer:

- Correction of boring angles,
- No use of welded structures to guarantee square anchoring,
- Easy installation,
- Easy fixing to the bulkhead

The flexibility of **DD-SF** supports allows the following angle possibilities:

- **DD25SF** installations with 20 to 30° of inclination
- **DD20SF** installations with 15 to 25° of inclination

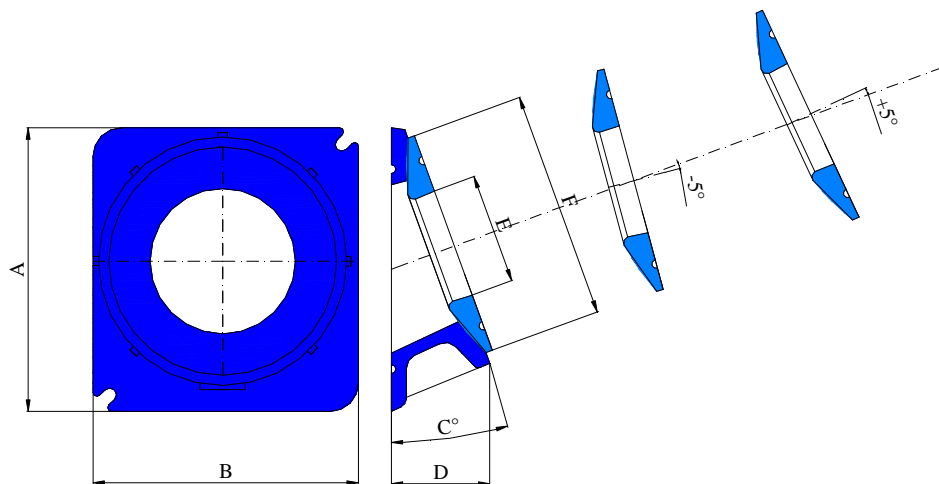
The DD-SF spherical support allows the installation of temporary and permanent ground anchors.

The spherical cap rests on a support that transfers the force to the bulkhead, thus reducing the load transfer coefficient.

The DD-SF is made of nodular cast iron GJS-400-15 EN 1563

The DD-SF supports are designed for the installation of a transition tube by a thread located at the rear; this possibility guarantees boring continuity through bulkheads and supports.

The inclination is given by a spherical support that guarantees a self-aligning effect to the boring axis.



Type of spherical support	Type of plate	A (mm)	B (mm)	C°	D (mm)	E (mm)	F (mm)
DD0520-SF	2TTR-E15	300 ±2.00	280 ±2.00	15-25 ±2°	115 ±3.00	120 ±2.00	240 ±2.00
DD0520-SF	3TTR-E15	300 ±2.00	280 ±2.00	15-25 ±2°	115 ±3.00	120 ±2.00	240 ±2.00
DD0520-SF	4TTR-E15	300 ±2.00	280 ±2.00	15-25 ±2°	115 ±3.00	120 ±2.00	240 ±2.00
DD0525-SF	2TTR-E15	310 ±2.00	280 ±2.00	20-30 ±2°	143 ±3.00	120 ±2.00	240 ±2.00
DD0525-SF	3TTR-E15	310 ±2.00	280 ±2.00	20-30 ±2°	143 ±3.00	120 ±2.00	240 ±2.00
DD0525-SF	4TTR-E15	310 ±2.00	280 ±2.00	20-30 ±2°	143 ±3.00	120 ±2.00	240 ±2.00
DD 0820-SF	5TTR-E15	380 ±2.00	350 ±2.00	15-25 ±2°	150 ±3.00	170 ±2.00	300 ±2.00
DD 0820-SF	6TTR-E15	380 ±2.00	350 ±2.00	15-25 ±2°	150 ±3.00	170 ±2.00	300 ±2.00
DD 0825-SF	5TTR-E15	390 ±2.00	350 ±2.00	20-30 ±2°	180 ±3.00	170 ±2.00	300 ±2.00
DD 0825-SF	6TTR-E15	390 ±2.00	350 ±2.00	20-30 ±2°	180 ±3.00	170 ±2.00	300 ±2.00
DD 0520-SF	TTM	300 ±2.00	280 ±2.00	15-25 ±2°	115 ±3.00	120 ±2.00	240 ±2.00
DD 0525-SF	TTM	310 ±2.00	280 ±2.00	20-30 ±2°	143 ±3.00	120 ±2.00	240 ±2.00
DD 0820-SF	TTM	380 ±2.00	350 ±2.00	15-25 ±2°	150 ±3.00	170 ±2.00	300 ±2.00
DD 0825-SF	TTM	390 ±2.00	350 ±2.00	20-30 ±2°	180 ±3.00	170 ±2.00	300 ±2.00