



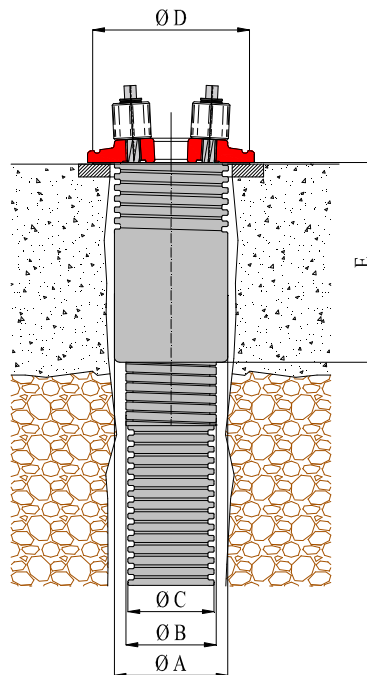
UNDERPLATE PROTECTION
(TTR-E anchorage)

The purpose of the under plate protection is to provide an effective connection/protection between the sheath of the free length and the anchorage.

Its function consists in protecting the small section of tendon under the bearing plate and to guarantee the continuity of the sheath.

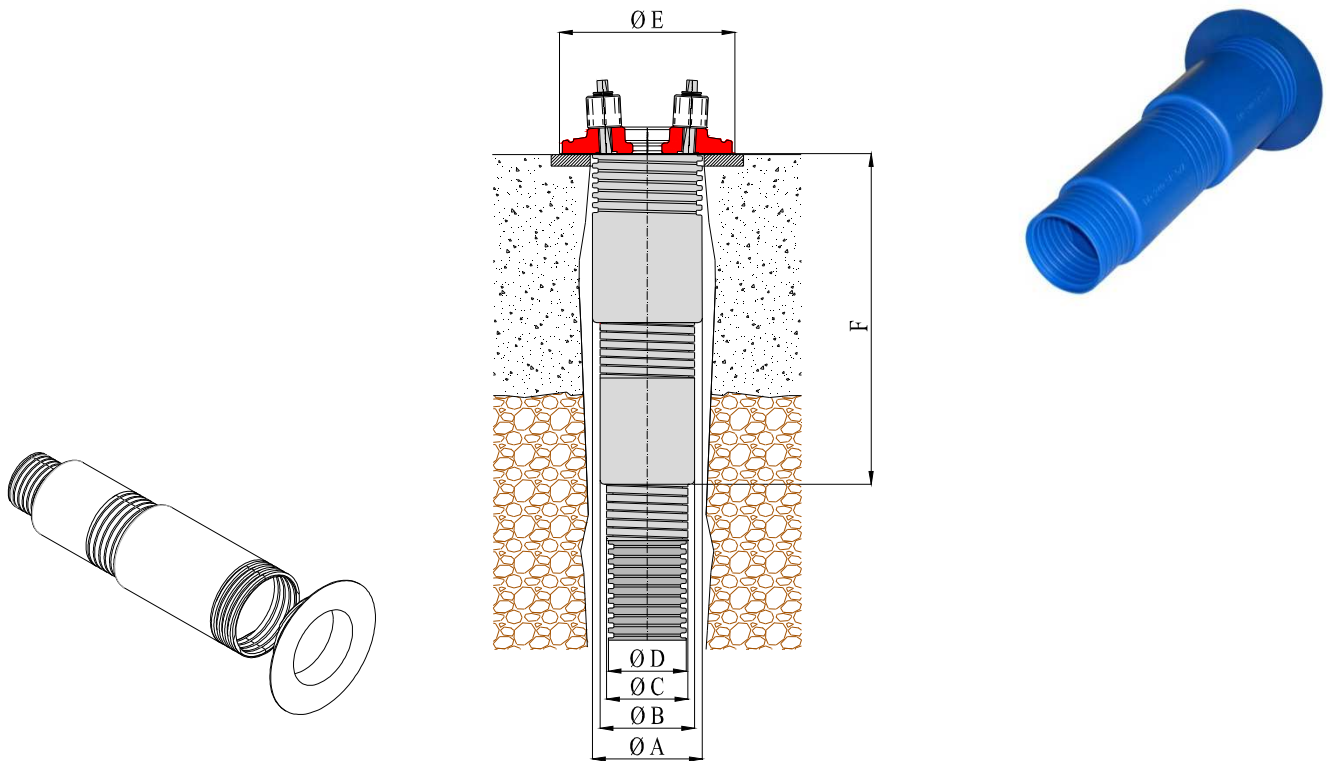
A painted or grouted plastic or metal rigid sleeve is sealed or welded to the anchor head. It is sealed to the free length sheath or duct and filled with corrosion protection compound, cement or resin.

234TTR-E 15 anchorage with under plate protection



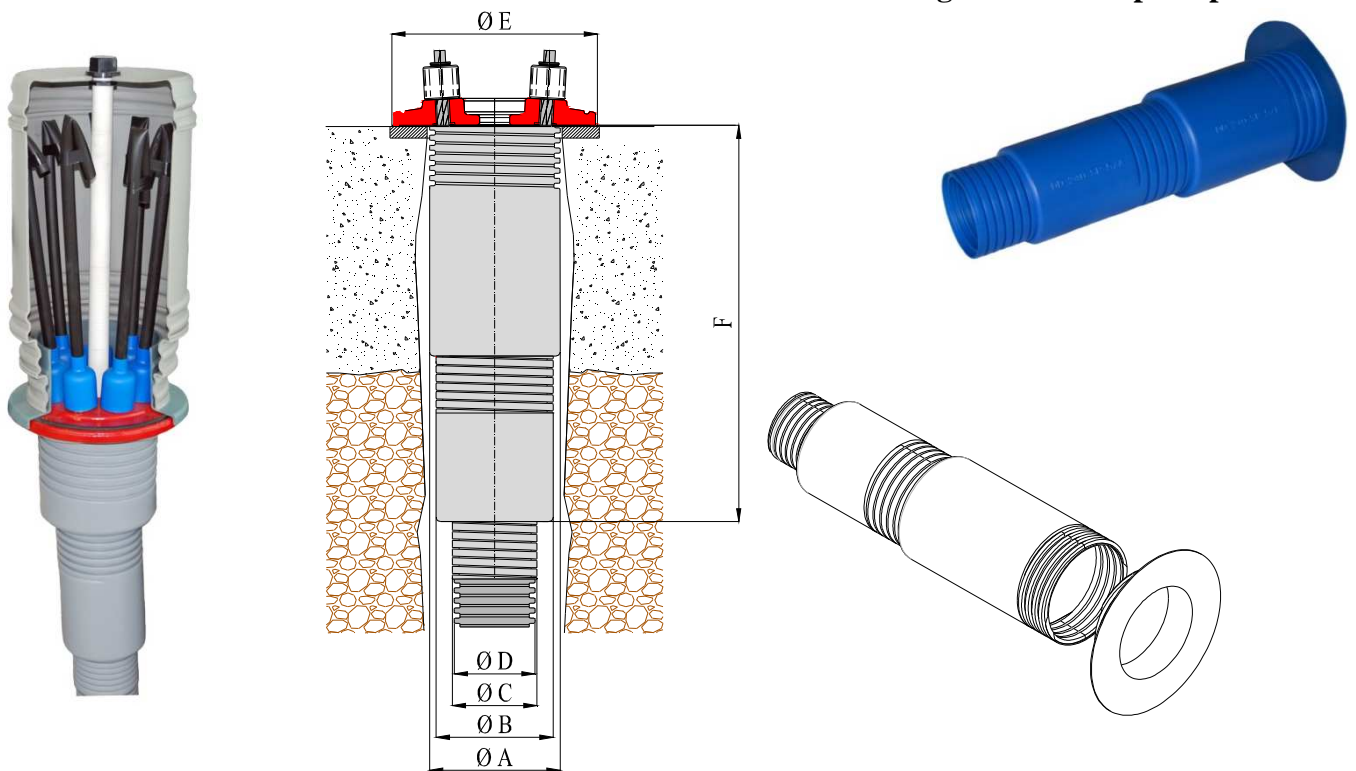
Under plate connection	A (mm)	B (mm)	C (mm)	D (mm)	E (mm)	Anchorage type	Flange type
DD200SF 78	145 ± 3.0	115	110	200 ± 3.0	255 ± 3.0	234 TTR-E15	DD145SP 45

5TTR-E 15 anchorage with under plate protection



Under plate connection	A (mm)	B (mm)	C (mm)	D (mm)	E (mm)	F (mm)	Anchorage type	Flange type
DD240SP5/A/B	155 ± 3.0	133 ± 3.0	115	110	248 ± 3.0	450 ± 3.0	5TTR-E15	DD 240SP 5/C

6TTR-E 15 anchorage with under plate protection

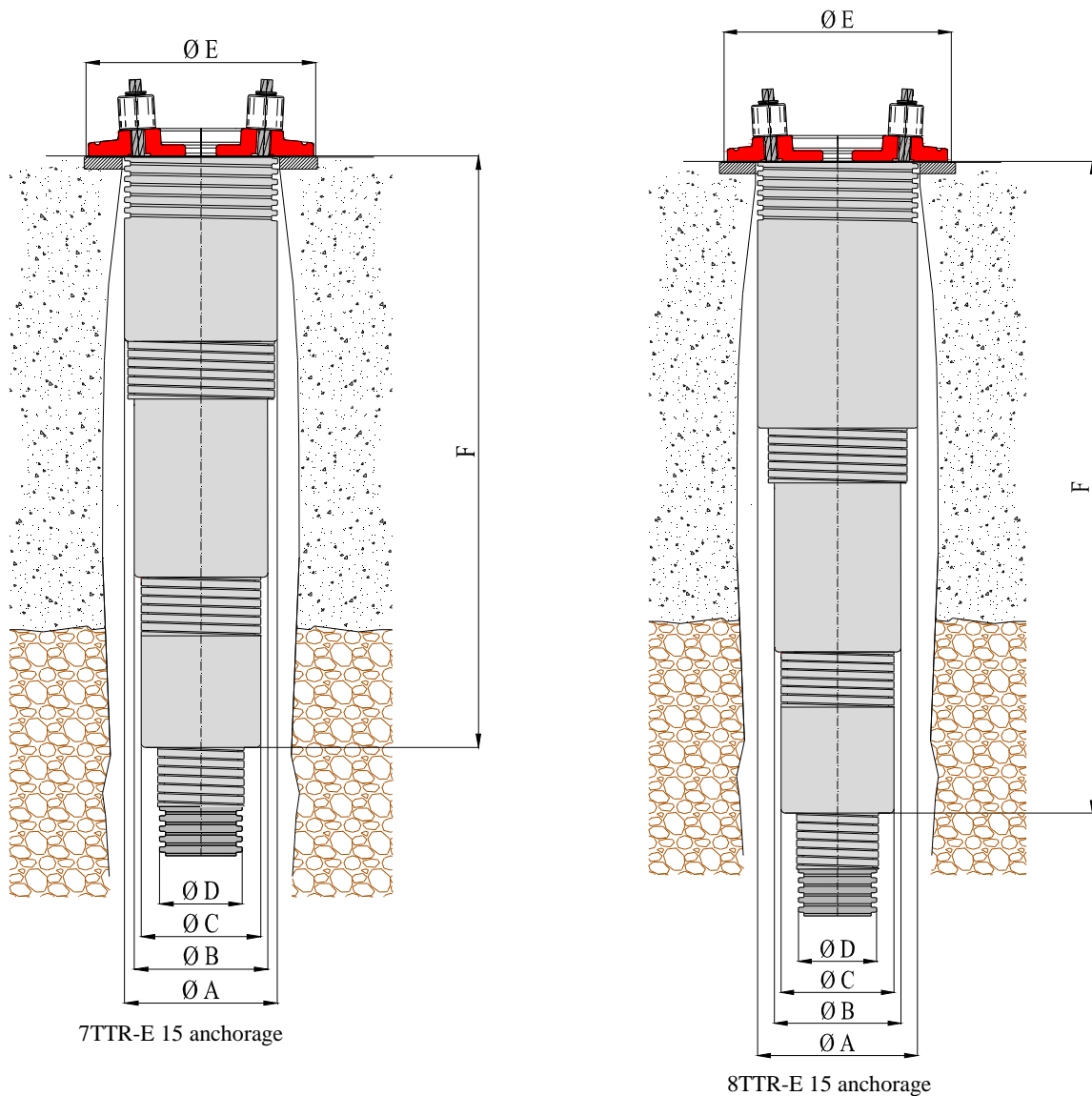


Under plate connection	A (mm)	B (mm)	C (mm)	D (mm)	E (mm)	F (mm)	Anchorage type	Flange type
DD280SP6/A/B	178 ± 3.0	159 ± 3.0	115	110	280 ± 3.0	550 ± 3.0	6TTR-E15	DD 280SP 6/C

7TTR-E 15 and 8TTR-E 15 anchorage with under plate protection



The under plate protection for 7TTR-E 15 and 8TTR-E 15 plates consists in three pieces to assemble on site: flange, first stage and second stage DD280SP 6/A/B.



Under plate connection	A (mm)	B (mm)	C (mm)	D (mm)	E (mm)	F (mm)	Anchorage type	Flange type
DD300SP 7/A DD280SP 6/A/B	204 ± 3.0	178 ± 3.0	159 ± 3.0	110	303 ± 3.0	800 ± 10.0	7TTR-E15	DD 300SP 7/C
DD320SP 8/A DD280SP 6/A/B	225 ± 3.0	178 ± 3.0	159 ± 3.0	110	320 ± 3.0	930 ± 10.0	8TTR-E15	DD 320SP 8/C

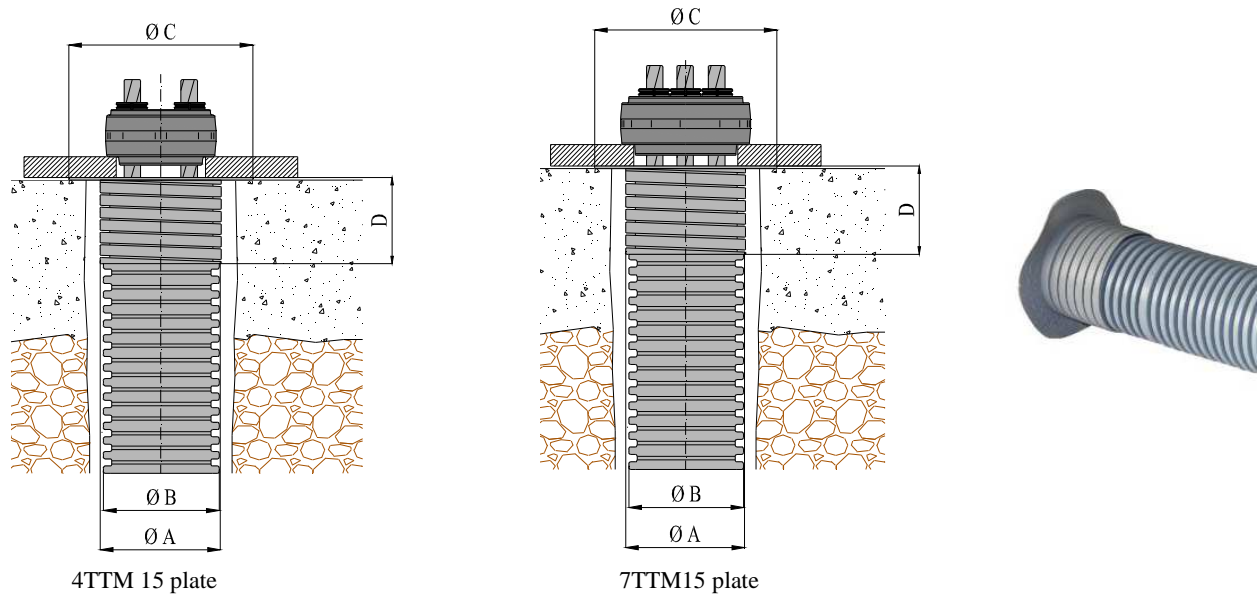
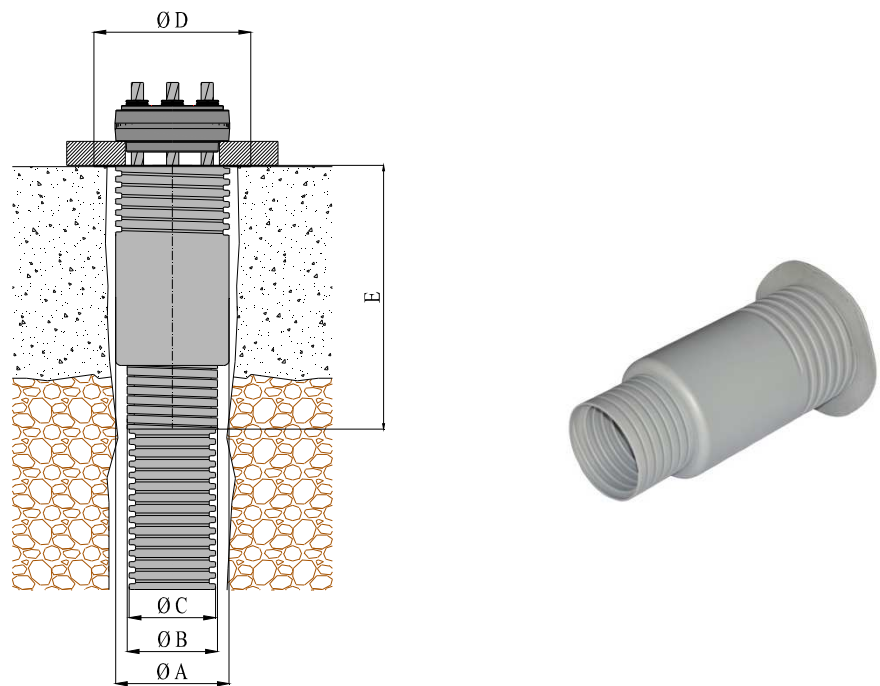


Plate type	Flange type	A (mm)	B (mm)	C (mm)	D (mm)
4TTM15	DD115SP1234	115	110	175	85
7TTM15	DD115SP1234	115	110	175	85



Piattello 9TTM15

Plate type	Flange type	Connection type	A (mm)	B (mm)	C (mm)	D (mm)	E (mm)
9TTM15	DD145SP45	DD200SF-78*	145 ± 2.0	115	110	200 ± 3.0	335 ± 3

* The DD200SF-78 connection is cut at the first stage for 9-strand applications.

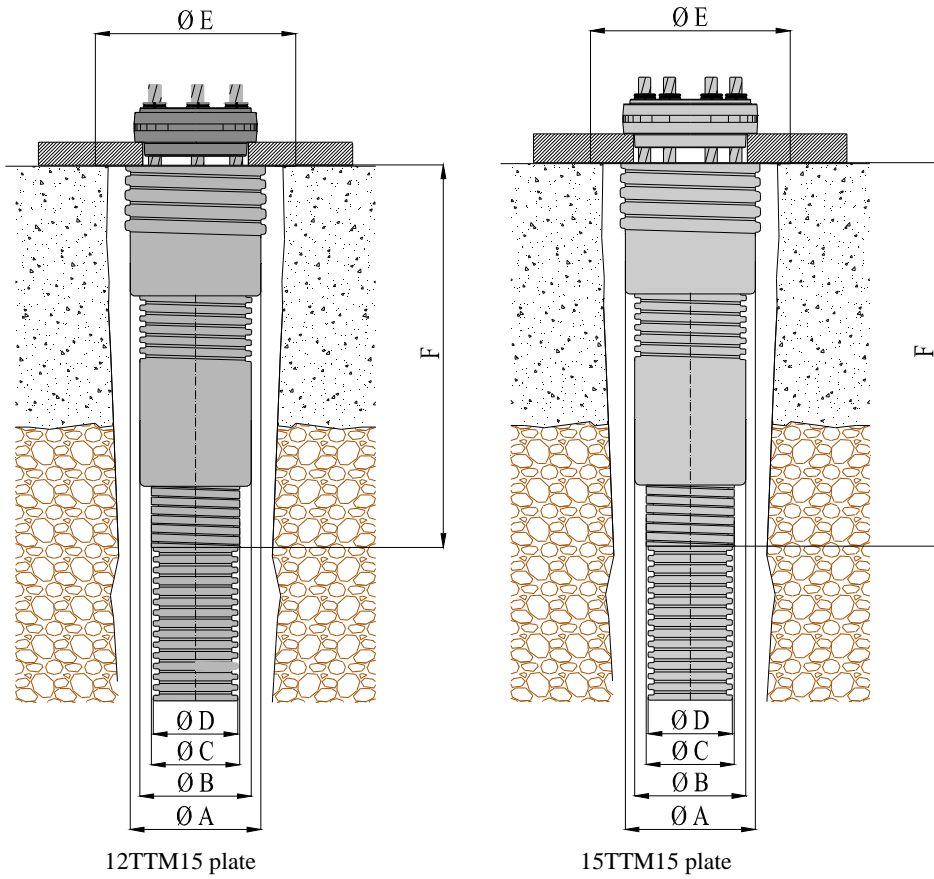
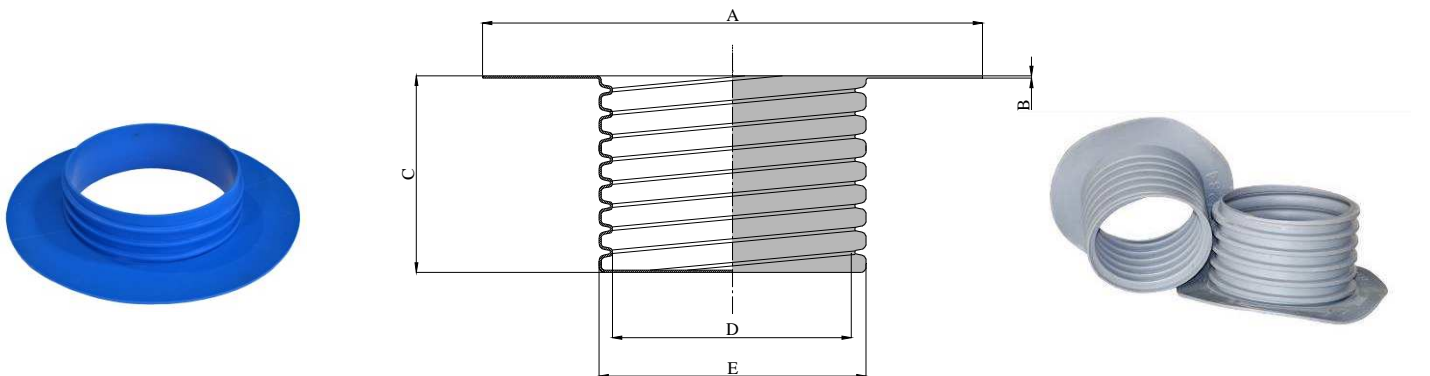


Plate type	Flange type	Connection type	A (mm)	B (mm)	C (mm)	D (mm)	E (mm)	F (mm)
12TTM15	DD170SP67	DD200SF-78	200 ±2	145 ±2	115	110	255 ± 3.0	510 ±4
15TTM15	DD170SP67	DD200SF-78	200 ±2	145 ±2	115	110	255 ± 3.0	510 ±4

“DD-SP” flanges

A painted or grouted plastic or metal rigid sleeve is sealed or welded to the anchor head. It is sealed to the free length sheath or duct and filled with corrosion protection compound, cement or grease.



Flange Type	A (mm)	B (mm)	C (mm)	D (mm)	E (mm)
Flange type DD 115SP	175 ± 3.0	3 ± 1.0	89 ± 3.0	100 ± 1.5	115 ± 1.5
Flange type DD 145SP	200 ± 3.0	3 ± 1.0	90 ± 3.0	120 ± 1.5	140 ± 1.5
Flange type DD 170SP	255 ± 3.0	3 ± 1.0	81 ± 3.0	170 ± 1.5	189 ± 1.5