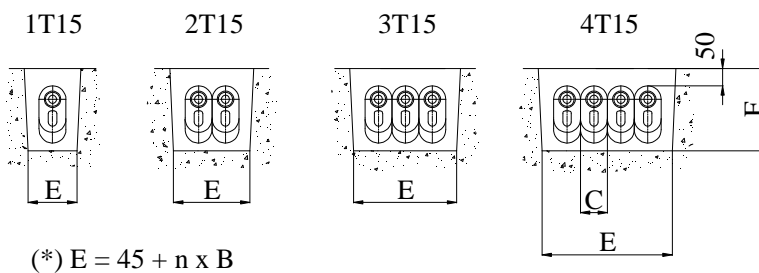
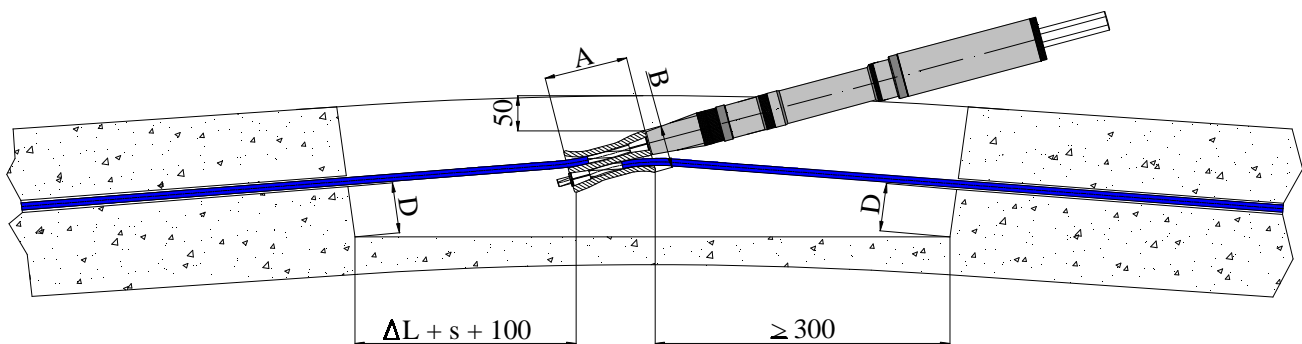




"F" CONNECTIONS



The F connection is used for the encircling of tanks or for the positioning into forming moulds as a tensionable connection of two strands. The anchorage is generally used as an unbonded active anchorage and it is used with greased and coated strands.



(*) $E = 45 + n \times B$

Type	Ultimate load for cable			A	B	C	D	E	F	G
	T15	T15S	T15C							
1F15	259 KN	279 KN	300 KN	(mm)	(mm)	(mm)	(mm)	(mm)	(mm)	(mm)
	259	279	300	200	98	55	60	(*)	180	20