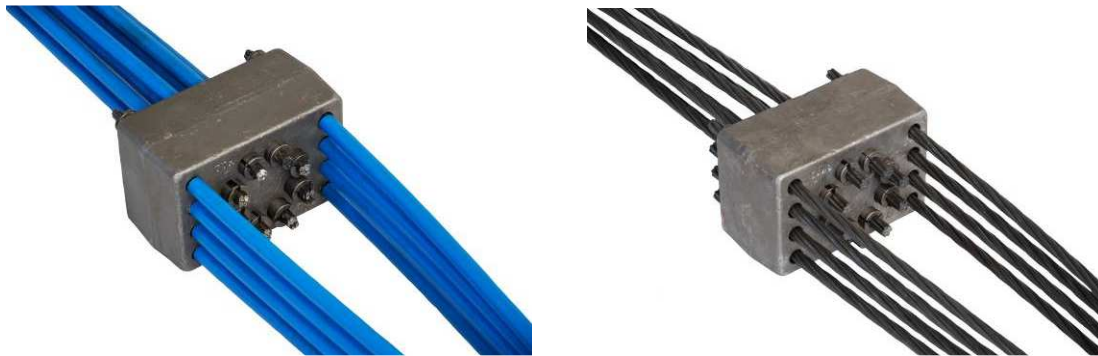




"K" connections

The "K" connection is carried out as a connection for the application on circular cables on: silos, forced pipelines, tunnels and applications which require a connection between cables with the use of a floating anchorage with no support, for example as a coupler for cables that can be tensioned inside a slab.

"K" connections can be tensioned with "M" and "TTM" jacks in both cases by using a special device to allow tensioning.



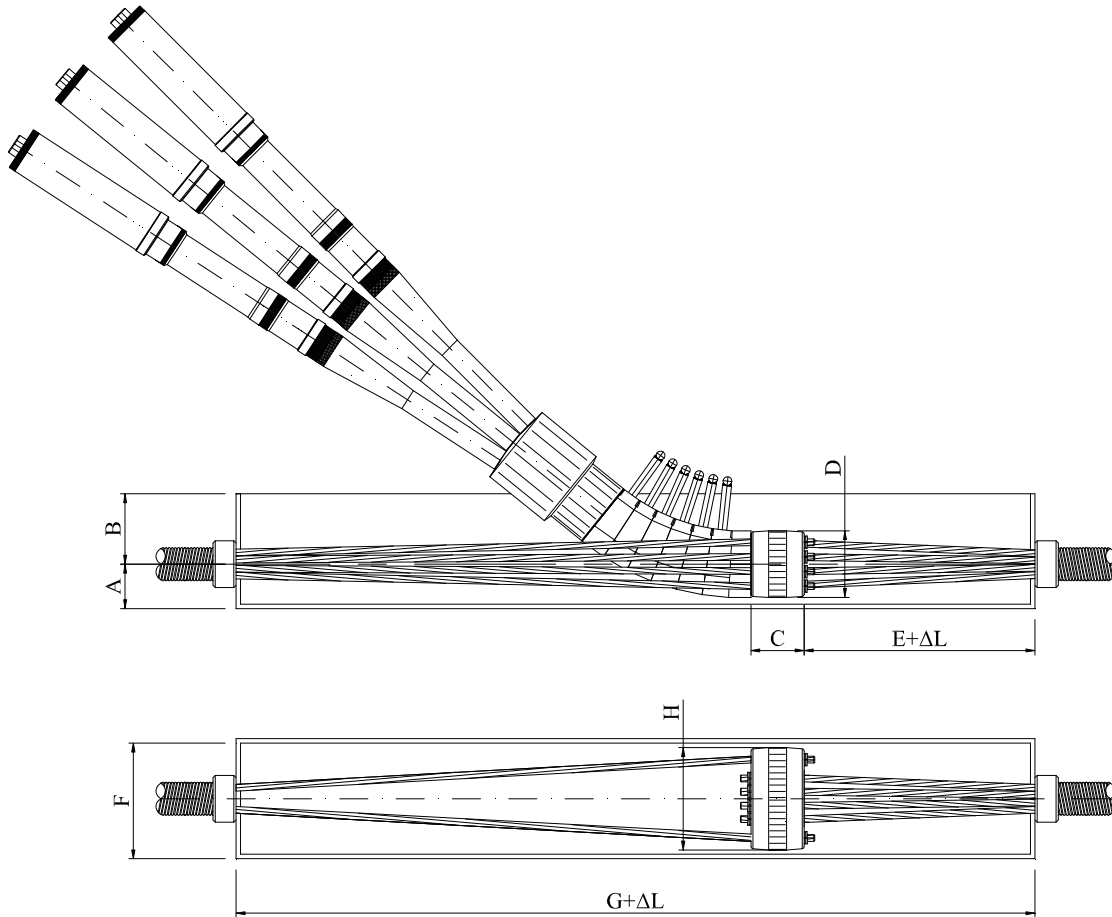
The "K" connection can be installed both with bonded and unbonded cables, where they can be inserted into a sheet or polythylene sheath for further protection.



"K" connection tensioning



The device is made of steel sectors whose number changes based on the deviation angle required by the application. As the angle changes, the loss of tension will also change, which shall be evaluated by means of experiments for each case.



Type	A	B	C	D	E	F	G	H
	(mm)	(mm)	(mm)	(mm)	(mm)	(mm)	(mm)	(mm)
2K15	55	85	70	90	100	170	560	140
4K15	60	90	80	100	160	200	710	170
6K15	80	110	100	140	230	240	860	210
8K15	85	115	130	150	320	300	950	270
12K15	90	120	160	160	400	330	1.200	300

