



TTR-E anchorage: application on temporary ground anchors



TTR-E anchorage: application on temporary ground anchors with elementary protections



Short cap on a TTR-E anchorage: application on permanent ground anchors



TTR-E anchorage: application on temporary ground anchors with elementary protections on elementary anchorages with long whip for retensioning



Long cap on a TTR-E anchorage: application on retensionable permanent ground anchors

The **TTR-E** anchorage is made of an anchor plate equipped with bushes and wedges; the distribution under plate may be used for load transferring when the drilling hole does not match the plate diameter. In the permanent version the anchorage is equipped with a protection cap. The anchorage can no longer be tensioned after wire strands are cut.

The temporary **TTR-E** anchorage may be provided with elementary protections to guarantee a temporary protection against corrosion to the single anchorages.

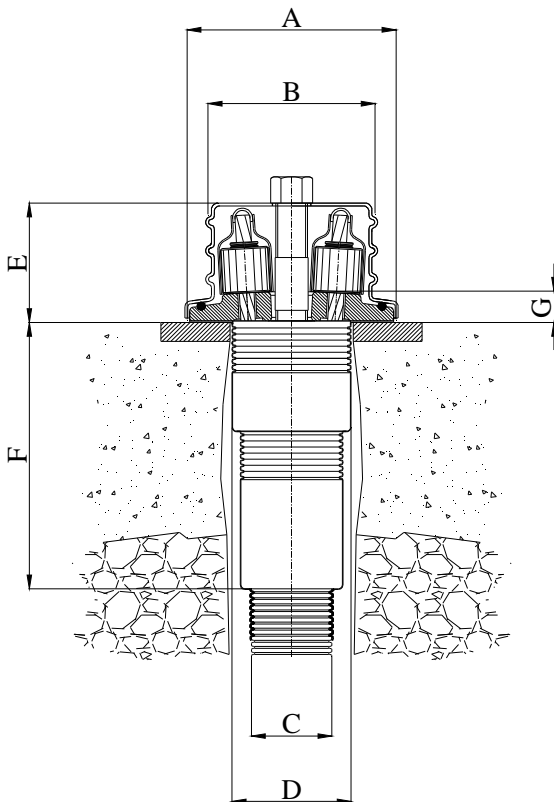
The permanent, non-retensionable **TTR-E** anchorage is provided with a short protection cap, which guarantees protection against corrosion to the whole anchorage.

The temporary **TTR-E** anchorage may be provided with elementary protections to guarantee a temporary protection against corrosion to the single anchorages, which include a whip for retensioning.

The permanent, retensionable **TTR-E** anchorage is provided with a long protection cap, which guarantees protection against corrosion to the whole anchorage. The use of elementary protections allows to reduce the quantity of protective material (grease), which is necessary to protect anchorages.



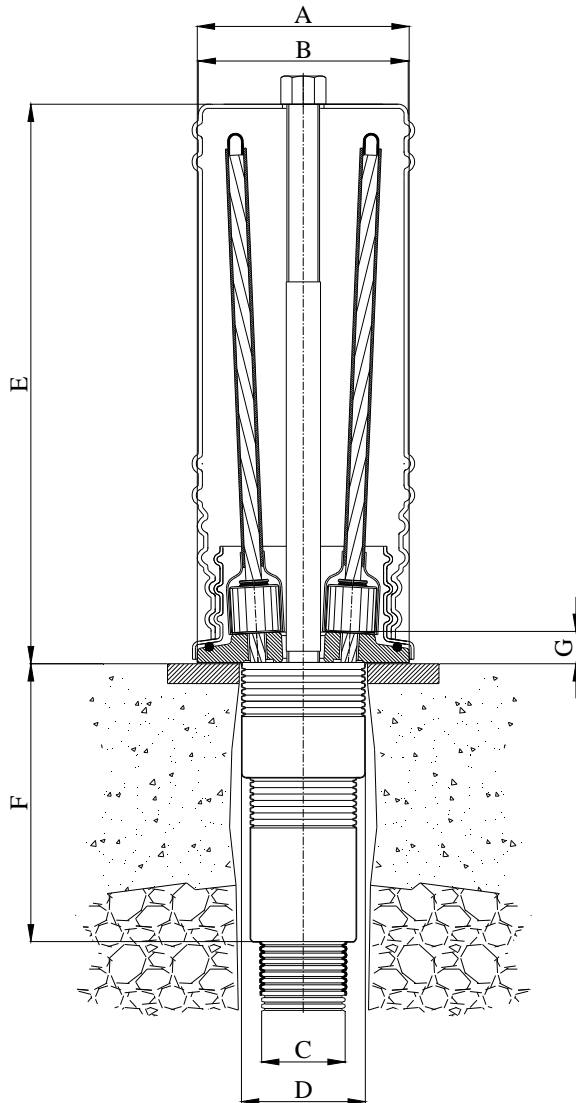
Non-retensionable **TTR-E** anchorage with short cap for permanent ground anchors.



OR for cap sealing

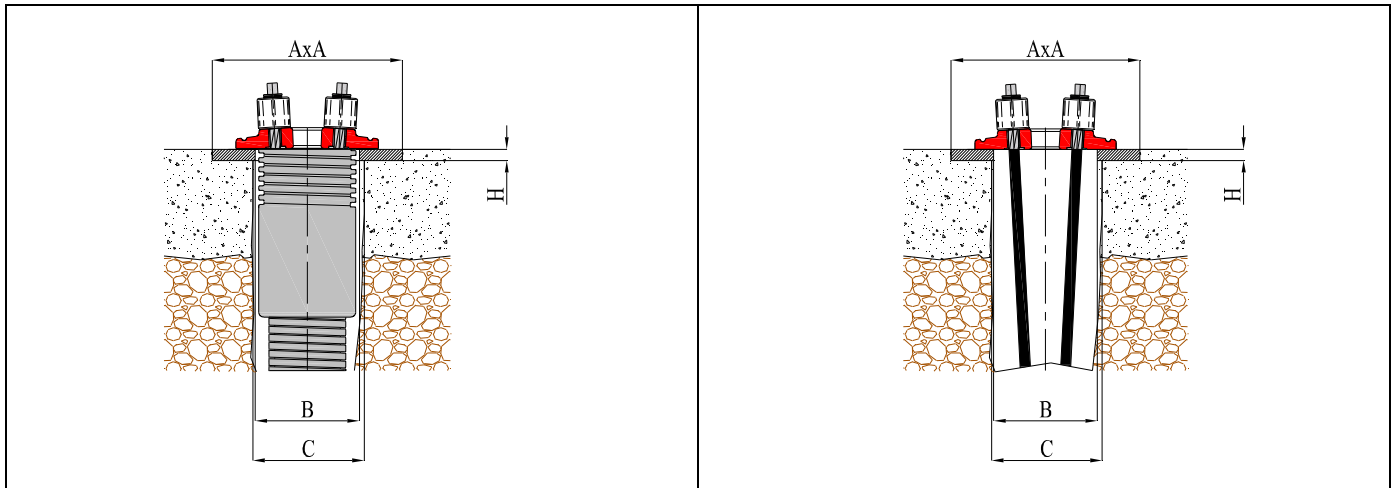
Anchorage type	A (mm)	B (mm)	C (mm)	D (mm)	E (mm)	F (mm)	G (mm)
2TTR-E15	215	175	110	145	135	255	31
3TTR-E15	215	175	110	145	135	255	31
4TTR-E15	215	175	110	145	135	255	31
5TTR-E15	240	200	110	155	140	450	37
6TTR-E15	275	215	110	178	140	550	37
7TTR-E15	300	240	110	204	155	800	37
8TTR-E15	310	270	110	225	140	930	37

Retensionable **TTR-E** anchorage with short cap for permanent ground anchors.



OR for cap sealing

Anchorage type	A (mm)	B (mm)	C (mm)	D (mm)	E (mm)	F (mm)	G (mm)
2TTR-E15	215	220	110	145	550	255	31
3TTR-E15	215	220	110	145	550	255	31
4TTR-E15	215	220	110	145	550	255	31
5TTR-E15	240	220	110	155	500	470	37
6TTR-E15	280	280	110	178	550	550	37
7TTR-E15	300	280	110	204	500	800	37
8TTR-E15	310	280	110	225	450	930	37



- A:** Dimensions for a square plate (AxA) (mm)
- B:** Hole in the oxy-fuel cut plate (mm)
- C:** Drilling diameter (mm)
- H:** Plate thickness (mm)

The plates are made of CE sheets in **S275JR EN 10025** or **S355JR EN 10025**, which are protected for PE (permanent) applications by means of a powder polyester protective coating. For applications on temporary ground anchors the coating is only provided upon Client's request.

**Dimensions of the distribution plates for permanent ground anchors
Application with T15 wire strand**

Section 139 mm² diam 15.2 mm F_{ptk} 1,860 MPa

Distribution plate for **2TTR-E15** anchorage (max. working load 31,814 kg) A x A x H mm

Diam C (mm)	Diam B (mm)	RcK 20 MPa AxA	RcK 25 MPa AxA	RcK 30 MPa AxA	RcK 35 MPa AxA	RcK 40 MPa AxA	RcK 45 MPa AxA	S275JR H (mm)	S355JR H (mm)
150	147	*****	*****	*****	*****	*****	*****	*****	*****
160	147	*****	*****	*****	*****	*****	*****	*****	*****
170	147	*****	*****	*****	*****	*****	*****	*****	*****
180	147	225x225	*****	*****	*****	*****	*****	20	15
190	147	235x235	225x225	*****	*****	*****	*****	25	20
200	147	240x240	230x230	225x225	220x220	*****	*****	30	25

Distribution plate for **3TTR-E15** anchorage (max. working load 47,721 kg) A x A x H mm

Diam C (mm)	Diam B (mm)	RcK 20 MPa AxA	RcK 25 MPa AxA	RcK 30 MPa AxA	RcK 35 MPa AxA	RcK 40 MPa AxA	RcK 45 MPa AxA	S275JR H (mm)	S355JR H (mm)
150	147	225x225	*****	*****	*****	*****	*****	20	15
160	147	230x230	*****	*****	*****	*****	*****	20	15
170	147	240x240	225x225	*****	*****	*****	*****	25	20
180	147	245x245	235x235	225x225	*****	*****	*****	25	20
190	147	255x255	240x240	235x235	225x225	220x220	*****	30	25
200	147	260x260	250x250	240x240	235x235	230x230	225x225	35	30

Distribution plate for **4TTR-E15** anchorage (max. working load 63,628 kg) A x A x H mm

Diam C (mm)	Diam B (mm)	RcK 20 MPa AxA	RcK 25 MPa AxA	RcK 30 MPa AxA	RcK 35 MPa AxA	RcK 40 MPa AxA	RcK 45 MPa AxA	S275JR H (mm)	S355JR H (mm)
150	147	245x245	230x230	*****	*****	*****	*****	20	15
160	147	250x250	235x235	225x225	*****	*****	*****	20	15
170	147	260x260	245x245	230x230	225x225	*****	*****	25	20
180	147	265x265	250x250	240x240	230x230	225x225	*****	30	25
190	147	270x270	255x255	245x245	240x240	235x235	225x225	30	25
200	147	275x275	265x265	255x255	245x245	240x240	235x235	35	30

Distribution plate for 5TTR-E15 anchorage (max. working load 79,535 kg) A x A x H mm

Diam C (mm)	Diam B (mm)	RcK 20 MPa AxA	RcK 25 MPa AxA	RcK 30 MPa AxA	RcK 35 MPa AxA	RcK 40 MPa AxA	RcK 45 MPa AxA	S275JR H (mm)	S355JR H (mm)
160	157	270x270	250x250	*****	*****	*****	*****	20	15
170	157	275x275	260x260	*****	*****	*****	*****	20	15
180	157	280x280	265x265	250x250	*****	*****	*****	25	20
190	157	290x290	270x270	260x260	*****	*****	*****	25	20
200	157	295x295	280x280	265x265	260x260	*****	*****	30	25
210	157	300x300	285x285	275x275	265x265	255x255	250x250	30	25
220	157	310x310	290x290	280x280	270x270	265x265	260x260	35	30

Distribution plate for 6TTR-E15 anchorage (max. working load 95,442 kg) A x A x H mm

Diam C (mm)	Diam B (mm)	RcK 20 MPa AxA	RcK 25 MPa AxA	RcK 30 MPa AxA	RcK 35 MPa AxA	RcK 40 MPa AxA	RcK 45 MPa AxA	S275JR H (mm)	S355JR H (mm)
180	180	300x300	*****	*****	*****	*****	*****	20	15
190	180	305x305	*****	*****	*****	*****	*****	20	15
200	180	310x310	295x295	*****	*****	*****	*****	25	20
210	180	315x315	300x300	*****	*****	*****	*****	25	20
220	180	325x325	305x305	290x290	*****	*****	*****	30	25
230	180	330x330	310x310	300x300	290x290	*****	*****	30	25
240	180	335x335	320x320	305x305	300x300	290x290	*****	35	30
250	180	345x345	330x330	315x315	305x305	300x300	295x295	35	30

Distribution plate for 7TTR-E15 anchorage (max. working load 111,349 kg) A x A x H mm

Diam C (mm)	Diam B (mm)	RcK 20 MPa AxA	RcK 25 MPa AxA	RcK 30 MPa AxA	RcK 35 MPa AxA	RcK 40 MPa AxA	RcK 45 MPa AxA	S275JR H (mm)	S355JR H (mm)
210	206	330x330	*****	*****	*****	*****	*****	20	15
220	206	335x335	320x320	*****	*****	*****	*****	20	15
230	206	345x345	325x325	*****	*****	*****	*****	25	20
240	206	350x350	330x330	315x315	*****	*****	*****	25	20
250	206	355x355	340x340	325x325	315x315	*****	*****	30	25
260	206	360x360	345x345	330x330	320x320	315x315	*****	30	25
270	206	370x370	350x350	340x340	330x330	320x320	315x315	35	30

Distribution plate for 8TTR-E15 anchorage (max. working load 127,256 kg) A x A x H mm

Diam C (mm)	Diam B (mm)	RcK 20 MPa AxA	RcK 25 MPa AxA	RcK 30 MPa AxA	RcK 35 MPa AxA	RcK 40 MPa AxA	RcK 45 MPa AxA	S275JR H (mm)	S355JR H (mm)
230	227	355x355	335x335	*****	*****	*****	*****	20	15
240	227	365x365	345x345	325x325	*****	*****	*****	20	15
250	227	370x370	350x350	335x335	325x325	*****	*****	25	20
260	227	375x375	355x355	340x340	330x330	320x320	*****	25	20
270	227	385x385	365x365	350x350	335x335	330x330	325x325	30	25
280	227	390x390	370x370	355x355	340x340	340x340	300x300	30	25
290	227	395x395	375x375	360x360	350x350	345x345	340x340	35	30

Application with T15S wire strand

Section 150 mm² diam 15.7 mm F_{ptk} 1,860 MPa

Distribution plate for 2TTR-E15 anchorage (max. working load 34,184 kg) A x A x H mm

Diam C (mm)	Diam B (mm)	RcK 20 MPa AxA	RcK 25 MPa AxA	RcK 30 MPa AxA	RcK 35 MPa AxA	RcK 40 MPa AxA	RcK 45 MPa AxA	S275JR H (mm)	S355JR H (mm)
150	147	*****	*****	*****	*****	*****	*****	*****	*****
160	147	*****	*****	*****	*****	*****	*****	*****	*****
170	147	220x220	*****	*****	*****	*****	*****	20	15
180	147	230x230	*****	*****	*****	*****	*****	25	20
190	147	240x240	225x225	*****	*****	*****	*****	30	25
200	147	245x245	235x235	230x230	225x225	*****	*****	35	30

Distribution plate for 3TTR-E15 anchorage (max. working load 51,207 kg) A x A x H mm

Diam C (mm)	Diam B (mm)	RcK 20 MPa AxA	RcK 25 MPa AxA	RcK 30 MPa AxA	RcK 35 MPa AxA	RcK 40 MPa AxA	RcK 45 MPa AxA	S275JR H (mm)	S355JR H (mm)
150	147	230x230	*****	*****	*****	*****	*****	20	15
160	147	235x235	225x225	*****	*****	*****	*****	20	15
170	147	245x245	230x230	*****	*****	*****	*****	25	20
180	147	250x250	235x235	225x225	220x220	*****	*****	25	20
190	147	255x255	245x245	235x235	230x230	225x225	*****	30	25
200	147	260x260	250x250	245x245	240x240	230x230	225x225	35	30

Distribution plate for 4TTR-E15 anchorage (max. working load 68,276 kg) A x A x H mm

Diam C (mm)	Diam B (mm)	RcK 20 MPa AxA	RcK 25 MPa AxA	RcK 30 MPa AxA	RcK 35 MPa AxA	RcK 40 MPa AxA	RcK 45 MPa AxA	S275JR H (mm)	S355JR H (mm)
150	147	250x250	235x235	*****	*****	*****	*****	20	15
160	147	255x255	240x240	230x230	*****	*****	*****	20	15
170	147	260x260	245x245	235x235	225x225	*****	*****	25	20
180	147	270x270	255x255	245x245	230x230	230x230	225x225	30	25
190	147	275x275	260x260	250x250	240x240	235x235	230x230	30	25
200	147	285x285	265x265	255x255	250x250	245x245	240x240	35	30

Distribution plate for 5TTR-E15 anchorage (max. working load 85,345 kg) A x A x H mm

Diam C (mm)	Diam B (mm)	RcK 20 MPa AxA	RcK 25 MPa AxA	RcK 30 MPa AxA	RcK 35 MPa AxA	RcK 40 MPa AxA	RcK 45 MPa AxA	S275JR H (mm)	S355JR H (mm)
160	157	275x275	255x255	*****	*****	*****	*****	20	15
170	157	285x285	265x265	*****	*****	*****	*****	20	15
180	157	300x300	270x270	225x255	*****	*****	*****	25	20
190	157	305x305	275x275	265x265	255x255	*****	*****	25	20
200	157	310x310	280x280	270x270	260x260	255x255	*****	30	25
210	157	315x315	290x290	275x275	270x270	260x260	255x255	30	25
220	157	325x325	295x295	285x285	275x275	270x270	265x265	35	30

Distribution plate for 6TTR-E15 anchorage (max. working load 102,414 kg) A x A x H mm

Diam C (mm)	Diam B (mm)	RcK 20 MPa AxA	RcK 25 MPa AxA	RcK 30 MPa AxA	RcK 35 MPa AxA	RcK 40 MPa AxA	RcK 45 MPa AxA	S275JR H (mm)	S355JR H (mm)
180	180	305x305	285x285	*****	*****	*****	*****	20	15
190	180	301x310	300x300	*****	*****	*****	*****	20	15
200	180	315x315	295x295	280x280	*****	*****	*****	25	20
210	180	320x320	305x305	290x290	*****	*****	*****	25	20
220	180	330x330	310x310	295x295	285x285	*****	*****	30	25
230	180	335x335	315x315	305x305	295x295	285x285	*****	30	25
240	180	340x340	325x325	310x310	300x300	295x295	285x285	35	30
250	180	350x350	330x330	320x320	310x310	300x300	295x295	35	30

Distribution plate for 7TTR-E15 anchorage (max. working load 119,483 kg) A x A x H mm

Diam C (mm)	Diam B (mm)	RcK 20 MPa AxA	RcK 25 MPa AxA	RcK 30 MPa AxA	RcK 35 MPa AxA	RcK 40 MPa AxA	RcK 45 MPa AxA	S275JR H (mm)	S355JR H (mm)
210	206	335x335	315x315	*****	*****	*****	*****	20	15
220	206	345x345	325x325	*****	*****	*****	*****	20	15
230	206	350x350	330x330	315x315	*****	*****	*****	25	20
240	206	355x355	335x335	320x320	*****	*****	*****	25	20
250	206	355x365	345x345	330x330	320x320	*****	*****	30	25
260	206	370x370	350x350	335x335	325x325	315x315	319x319	30	25
270	206	380x380	360x360	345x345	335x335	325x325	320x320	35	30

Distribution plate for **8TTR-E15** anchorage (max. working load 136,552 kg) A x A x H mm

Diam C (mm)	Diam B (mm)	RcK 20 MPa AxA	RcK 25 MPa AxA	RcK 30 MPa AxA	RcK 35 MPa AxA	RcK 40 MPa AxA	RcK 45 MPa AxA	S275JR H (mm)	S355JR H (mm)
230	227	365x365	345x345	325x325	*****	*****	*****	20	15
240	227	379x370	355x355	335x335	*****	*****	*****	25	20
250	227	380x380	355x355	340x340	325x325	*****	*****	35	30
260	227	385x385	365x365	345x345	335x335	325x325	*****	40	35
270	227	390x390	370x370	350x350	345x345	335x335	325x325	45	40
280	227	400x400	375x375	360x360	350x350	340x340	335x335	45	40
290	227	405x405	385x385	370x370	360x360	350x350	345x345	45	40

Application with T15C wire strand
Section 165 mm² diam 15,2 mm F_{ptk} 1,860 MPa

 Distribution plate for **2TTR-E15** anchorage (max. working load 37,564 kg) A x A x H mm

Diam C (mm)	Diam B (mm)	RcK 20 MPa AxA	RcK 25 MPa AxA	RcK 30 MPa AxA	RcK 35 MPa AxA	RcK 40 MPa AxA	RcK 45 MPa AxA	S275JR H (mm)	S355JR H (mm)
150	147	*****	*****	*****	*****	*****	*****	*****	*****
160	147	*****	*****	*****	*****	*****	*****	*****	*****
170	147	225x225	*****	*****	*****	*****	*****	20	15
180	147	235x235	225x225	*****	*****	*****	*****	25	20
190	147	240x240	230x230	225x225	*****	*****	*****	30	25
200	147	245x245	240x240	230x230	225x225	225x225	*****	35	30

 Distribution plate for **3TTR-E15** anchorage (max. working load 54,346 kg) A x A x H mm

Diam C (mm)	Diam B (mm)	RcK 20 MPa AxA	RcK 25 MPa AxA	RcK 30 MPa AxA	RcK 35 MPa AxA	RcK 40 MPa AxA	RcK 45 MPa AxA	S275JR H (mm)	S355JR H (mm)
150	147	235x235	*****	*****	*****	*****	*****	20	15
160	147	245x245	230x230	*****	*****	*****	*****	20	15
170	147	250x250	235x235	225x225	*****	*****	*****	25	20
180	147	255x255	240x240	230x230	225x225	*****	*****	25	20
190	147	265x265	250x250	240x240	235x235	225x225	*****	30	25
200	147	270x270	255x255	250x250	240x240	235x235	230x230	35	30

 Distribution plate for **4TTR-E15** anchorage (max. working load 75,128 kg) A x A x H mm

Diam C (mm)	Diam B (mm)	RcK 20 MPa AxA	RcK 25 MPa AxA	RcK 30 MPa AxA	RcK 35 MPa AxA	RcK 40 MPa AxA	RcK 45 MPa AxA	S275JR H (mm)	S355JR H (mm)
150	147	260x260	240x240	225x225	*****	*****	*****	20	15
160	147	265x265	245x245	235x235	225x225	*****	*****	20	15
170	147	279x270	255x255	240x240	235x235	225x225	*****	25	20
180	147	280x280	260x260	250x250	240x240	235x235	225x225	30	25
190	147	285x285	265x265	255x255	245x245	240x240	235x235	30	25
200	147	290x290	275x275	265x265	255x255	245x245	245x245	35	30

 Distribution plate for **5TTR-E15** anchorage (max. working load 93,910 kg) A x A x H mm

Diam C (mm)	Diam B (mm)	RcK 20 MPa AxA	RcK 25 MPa AxA	RcK 30 MPa AxA	RcK 35 MPa AxA	RcK 40 MPa AxA	RcK 45 MPa AxA	S275JR H (mm)	S355JR H (mm)
160	157	275x275	255x255	*****	*****	*****	*****	20	15
170	157	285x285	265x265	*****	*****	*****	*****	20	15
180	157	290x290	270x270	255x255	*****	*****	*****	25	20
190	157	295x295	275x275	265x265	255x255	*****	*****	25	20
200	157	300x300	285x285	270x270	260x260	225x225	*****	30	25
210	157	305x305	290x290	280x280	270x270	265x265	255x255	30	25
220	157	315x315	295x295	285x285	275x275	270x270	265x265	35	30

Distribution plate for **6TTR-E15** anchorage (max. working load 112,692 kg) A x A x H mm

Diam C (mm)	Diam B (mm)	RcK 20 MPa AxA	RcK 25 MPa AxA	RcK 30 MPa AxA	RcK 35 MPa AxA	RcK 40 MPa AxA	RcK 45 MPa AxA	S275JR H (mm)	S355JR H (mm)
180	180	305x305	*****	*****	*****	*****	*****	20	15
190	180	310x310	290x290	*****	*****	*****	*****	20	15
200	180	320x320	295x295	*****	*****	*****	*****	25	20
210	180	325x325	305x305	290x290	*****	*****	*****	25	20
220	180	330x330	310x310	295x295	285x285	*****	*****	30	25
230	180	335x335	315x315	305x305	295x295	285x285	*****	30	25
240	180	345x345	325x325	310x310	300x300	295x295	285x285	35	30
250	180	350x350	330x330	320x320	310x310	305x305	295x295	35	30

 Distribution plate for **7TTR-E15** anchorage (max. working load 131,474 kg) A x A x H mm

Diam C (mm)	Diam B (mm)	RcK 20 MPa AxA	RcK 25 MPa AxA	RcK 30 MPa AxA	RcK 35 MPa AxA	RcK 40 MPa AxA	RcK 45 MPa AxA	S275JR H (mm)	S355JR H (mm)
210	206	340x340	315x315	*****	*****	*****	*****	20	15
220	206	345x345	325x325	*****	*****	*****	*****	20	15
230	206	350x350	330x330	320x320	*****	*****	*****	25	20
240	206	355x355	335x335	320x320	*****	*****	*****	25	20
250	206	365x365	340x340	330x330	320x320	*****	*****	30	25
260	206	370x370	350x350	335x335	325x325	320x320	*****	30	25
270	206	380x380	355x355	345x345	335x335	325x325	320x320	35	30

 Distribution plate for **8TTR-E15** anchorage (max. working load 150,256 kg) A x A x H mm

Diam C (mm)	Diam B (mm)	RcK 20 MPa AxA	RcK 25 MPa AxA	RcK 30 MPa AxA	RcK 35 MPa AxA	RcK 40 MPa AxA	RcK 45 MPa AxA	S275JR H (mm)	S355JR H (mm)
230	227	370x370	345x345	325x325	315x315	*****	*****	20	15
240	227	375x375	350x350	335x335	320x320	*****	*****	20	15
250	227	375x375	355x355	340x340	325x325	320x320	*****	25	20
260	227	385x385	360x360	345x345	335x335	325x325	320x320	25	20
270	227	390x390	370x370	355x355	345x345	335x335	325x325	30	25
280	227	395x395	375x375	360x360	350x350	340x340	335x335	30	25
290	227	405x405	385x385	370x370	355x355	350x350	345x345	35	30

Dimensions of the distribution plates for temporary ground anchors
Application with T15 wire strand
 Section 139 mm² diam 15.2 mm F_{ptk} 1,860 MPa

 Distribution plate for **2TTR-E15** anchorage (max. working load 31,814 kg) A x A x H mm

Diam C (mm)	Diam B (mm)	RcK 20 MPa AxA	RcK 25 MPa AxA	RcK 30 MPa AxA	RcK 35 MPa AxA	RcK 40 MPa AxA	RcK 45 MPa AxA	S275JR H (mm)	S355JR H (mm)
150	115	*****	*****	*****	*****	*****	*****	*****	*****
160	115	*****	*****	*****	*****	*****	*****	*****	*****
170	115	*****	*****	*****	*****	*****	*****	*****	*****
180	115	225x225	*****	*****	*****	*****	*****	20	15
190	115	235x235	225x225	*****	*****	*****	*****	25	20
200	115	240x240	230x230	225x225	225x225	*****	*****	30	25

 Distribution plate for **3TTR-E15** anchorage (max. working load 47,721 kg) A x A x H mm

Diam C (mm)	Diam B (mm)	RcK 20 MPa AxA	RcK 25 MPa AxA	RcK 30 MPa AxA	RcK 35 MPa AxA	RcK 40 MPa AxA	RcK 45 MPa AxA	S275JR H (mm)	S355JR H (mm)
150	115	225x225	*****	*****	*****	*****	*****	20	15
160	115	230x230	*****	*****	*****	*****	*****	20	15
170	115	240x240	225x225	*****	*****	*****	*****	25	20
180	115	245x245	235x235	225x225	*****	*****	*****	25	20
190	115	250x250	240x240	235x235	225x225	229x220	*****	30	25
200	115	260x260	250x250	240x240	235x235	230x230	225x225	35	30

Distribution plate for **4TTR-E15** anchorage (max. working load 63,628 kg) A x A x H mm

Diam C	Diam B	RcK 20 MPa	RcK 25 MPa	RcK 30 MPa	RcK 35 MPa	RcK 40 MPa	RcK 45 MPa	S275JR H	S355JR H
(mm)	(mm)	AxA	AxA	AxA	AxA	AxA	AxA	(mm)	(mm)
150	115	245x245	230x230	*****	*****	*****	*****	20	15
160	115	250x250	235x235	225x225	*****	*****	*****	20	15
170	115	260x260	240x240	230x230	225x225	*****	*****	25	20
180	115	265x265	245x245	235x235	230x230	225x225	*****	30	25
190	115	270x270	255x255	245x245	240x240	235x235	230x230	30	25
200	115	280x280	265x265	255x255	245x245	240x240	235x235	35	30

 Distribution plate for **5TTR-E15** anchorage (max. working load 79,535 kg) A x A x H mm

Diam C	Diam B	RcK 20 MPa	RcK 25 MPa	RcK 30 MPa	RcK 35 MPa	RcK 40 MPa	RcK 45 MPa	S275JR H	S355JR H
(mm)	(mm)	AxA	AxA	AxA	AxA	AxA	AxA	(mm)	(mm)
160	135	270x270	250x250	*****	*****	*****	*****	20	15
170	135	275x275	260x260	*****	*****	*****	*****	20	15
180	135	280x280	265x265	250x250	*****	*****	*****	25	20
190	135	290x290	270x270	260x260	*****	*****	*****	25	20
200	135	295x295	275x275	265x265	255x255	*****	*****	30	25
210	135	300x300	285x285	275x275	265x265	255x255	255x255	30	25
220	135	305x305	290x290	280x280	275x275	265x265	260x260	35	30

 Distribution plate for **6TTR-E15** anchorage (max. working load 95,442 kg) A x A x H mm

Diam C	Diam B	RcK 20 MPa	RcK 25 MPa	RcK 30 MPa	RcK 35 MPa	RcK 40 MPa	RcK 45 MPa	S275JR H	S355JR H
(mm)	(mm)	AxA	AxA	AxA	AxA	AxA	AxA	(mm)	(mm)
180	158	300x300	*****	*****	*****	*****	*****	20	15
190	158	305x305	*****	*****	*****	*****	*****	20	15
200	158	310x310	290x290	*****	*****	*****	*****	25	20
210	158	315x315	300x300	285x285	*****	*****	*****	25	20
220	158	325x325	310x310	290x290	*****	*****	*****	30	25
230	158	330x330	315x315	300x300	290x290	*****	*****	30	25
240	158	335x335	320x320	305x305	295x295	290x290	*****	35	30
250	158	345x345	325x325	315x315	305x305	300x300	295x295	35	30

 Distribution plate for **7TTR-E15** anchorage (max. working load 111,349 kg) A x A x H mm

Diam C	Diam B	RcK 20 MPa	RcK 25 MPa	RcK 30 MPa	RcK 35 MPa	RcK 40 MPa	RcK 45 MPa	S275JR H	S355JR H
(mm)	(mm)	AxA	AxA	AxA	AxA	AxA	AxA	(mm)	(mm)
210	185	330x330	*****	*****	*****	*****	*****	20	15
220	185	340x340	320x320	*****	*****	*****	*****	20	15
230	185	345x345	325x325	*****	*****	*****	*****	25	20
240	185	350x350	330x330	320x320	*****	*****	*****	25	20
250	185	355x355	340x340	325x325	320x320	*****	*****	30	25
260	185	365x365	345x345	330x330	325x325	320x320	*****	30	25
270	185	370x370	350x350	340x340	330x330	325x325	320x320	35	30

 Distribution plate for **8TTR-E15** anchorage (max. working load 127,256 kg) A x A x H mm

Diam C	Diam B	RcK 20 MPa	RcK 25 MPa	RcK 30 MPa	RcK 35 MPa	RcK 40 MPa	RcK 45 MPa	S275JR H	S355JR H
(mm)	(mm)	AxA	AxA	AxA	AxA	AxA	AxA	(mm)	(mm)
230	205	360x360	335x335	*****	*****	*****	*****	20	15
240	205	365x365	345x345	325x325	*****	*****	*****	20	15
250	205	370x370	350x350	335x335	325x325	*****	*****	25	20
260	205	375x375	355x355	340x340	330x330	320x320	*****	25	20
270	205	385x385	365x365	350x350	340x340	330x330	325x325	30	25
280	205	390x390	370x370	355x355	345x345	340x340	330x330	30	25
290	205	395x395	380x380	365x365	355x355	345x345	340x340	35	30

Application with T15S wire strand
Section 150 mm² diam 15.7 mm F_{ptk} 1,860 MPa

Distribution plate for **2TTR-E15** anchorage (max. working load 34,138 kg) A x A x H mm

Diam C	Diam B	RcK 20 MPa	RcK 25 MPa	RcK 30 MPa	RcK 35 MPa	RcK 40 MPa	RcK 45 MPa	S275JR H	S355JR H
(mm)	(mm)	AxA	AxA	AxA	AxA	AxA	AxA	(mm)	(mm)
150	115	*****	*****	*****	*****	*****	*****	*****	*****
160	115	*****	*****	*****	*****	*****	*****	*****	*****
170	115	220x220	*****	*****	*****	*****	*****	20	15
180	115	230x230	*****	*****	*****	*****	*****	25	20
190	115	235x235	225x225	*****	*****	*****	*****	30	25
200	115	245x245	235x235	230x230	225x225	*****	*****	35	30

Distribution plate for **3TTR-E15** anchorage (max. working load 51,207 kg) A x A x H mm

Diam C	Diam B	RcK 20 MPa	RcK 25 MPa	RcK 30 MPa	RcK 35 MPa	RcK 40 MPa	RcK 45 MPa	S275JR H	S355JR H
(mm)	(mm)	AxA	AxA	AxA	AxA	AxA	AxA	(mm)	(mm)
150	115	230x230	*****	*****	*****	*****	*****	20	15
160	115	235x235	225x225	*****	*****	*****	*****	20	15
170	115	245x245	230x230	*****	*****	*****	*****	25	20
180	115	250x250	235x235	225x225	*****	*****	*****	25	20
190	115	255x255	245x245	235x235	230x230	225x225	*****	30	25
200	115	265x265	250x250	245x245	240x240	235x235	230x230	35	30

Distribution plate for **4TTR-E15** anchorage (max. working load 68,276 kg) A x A x H mm

Diam C	Diam B	RcK 20 MPa	RcK 25 MPa	RcK 30 MPa	RcK 35 MPa	RcK 40 MPa	RcK 45 MPa	S275JR H	S355JR H
(mm)	(mm)	AxA	AxA	AxA	AxA	AxA	AxA	(mm)	(mm)
150	115	250x250	235x235	*****	*****	*****	*****	20	15
160	115	260x260	240x240	230x230	*****	*****	*****	20	15
170	115	265x265	250x250	235x235	230x230	*****	*****	25	20
180	115	270x270	255x255	245x245	235x235	230x230	225x225	30	25
190	115	275x275	260x260	250x250	240x240	235x235	230x230	30	25
200	115	285x285	270x270	255x255	250x250	245x245	240x240	35	30

Distribution plate for **5TTR-E15** anchorage (max. working load 85,345 kg) A x A x H mm

Diam C	Diam B	RcK 20 MPa	RcK 25 MPa	RcK 30 MPa	RcK 35 MPa	RcK 40 MPa	RcK 45 MPa	S275JR H	S355JR H
(mm)	(mm)	AxA	AxA	AxA	AxA	AxA	AxA	(mm)	(mm)
160	135	275x275	255x255	*****	*****	*****	*****	20	15
170	135	285x285	265x265	*****	*****	*****	*****	20	15
180	135	290x290	270x270	255x255	*****	*****	*****	25	20
190	135	295x295	275x275	265x265	255x255	*****	*****	25	20
200	135	300x300	285x285	270x279	260x260	255x255	*****	30	25
210	135	305x305	290x290	275x275	270x270	265x265	255x255	30	25
220	135	310x310	295x295	285x285	275x275	270x270	265x265	35	30

Distribution plate for **6TTR-E15** anchorage (max. working load 102,414 kg) A x A x H mm

Diam C	Diam B	RcK 20 MPa	RcK 25 MPa	RcK 30 MPa	RcK 35 MPa	RcK 40 MPa	RcK 45 MPa	S275JR H	S355JR H
(mm)	(mm)	AxA	AxA	AxA	AxA	AxA	AxA	(mm)	(mm)
180	158	305x305	285x285	*****	*****	*****	*****	20	15
190	158	310x310	290x290	*****	*****	*****	*****	20	15
200	158	320x320	295x295	285x285	*****	*****	*****	25	20
210	158	325x325	305x305	290x290	*****	*****	*****	25	20
220	158	330x330	310x310	295x295	285x285	*****	*****	30	25
230	158	335x335	320x320	300x300	295x295	285x285	*****	30	25
240	158	345x345	325x325	310x310	305x305	295x295	290x290	35	30
250	158	350x350	330x330	320x320	310x310	300x300	295x290	35	30

Distribution plate for 7TTR-E15 anchorage (max. working load 119,483 kg) A x A x H mm

Diam C	Diam B	RcK 20 MPa	RcK 25 MPa	RcK 30 MPa	RcK 35 MPa	RcK 40 MPa	RcK 45 MPa	S275JR H	S355JR H
(mm)	(mm)	AxA	AxA	AxA	AxA	AxA	AxA	(mm)	(mm)
210	185	340x340	315x315	*****	*****	*****	*****	20	15
220	185	345x345	325x325	*****	*****	*****	*****	20	15
230	185	350x350	330x330	320x320	*****	*****	*****	25	20
240	185	360x360	335x335	325x325	*****	*****	*****	25	20
250	185	365x365	345x345	330x330	320x320	*****	*****	30	25
260	185	370x370	350x350	335x335	325x325	315x315	315x315	30	25
270	185	380x380	360x360	345x345	335x335	325x325	320x320	35	30

Distribution plate for 8TTR-E15 anchorage (max. working load 136,552 kg) A x A x H mm

Diam C	Diam B	RcK 20 MPa	RcK 25 MPa	RcK 30 MPa	RcK 35 MPa	RcK 40 MPa	RcK 45 MPa	S275JR H	S355JR H
(mm)	(mm)	AxA	AxA	AxA	AxA	AxA	AxA	(mm)	(mm)
230	205	365x365	345x345	325x325	*****	*****	*****	20	15
240	205	370x370	350x350	335x335	*****	*****	*****	25	20
250	205	375x365	355x355	340x340	330x330	*****	*****	35	30
260	205	380x380	365x365	345x345	335x335	325x325	*****	40	35
270	205	390x390	370x370	355x355	345x345	335x335	325x325	45	40
280	205	400x400	375x375	360x360	350x350	345x345	335x335	45	40
290	205	405x405	385x385	370x370	360x360	350x350	345x345	45	40

Application with T15C wire strand
Section 165 mm² diam 15.2 mm F_{ptk} 1,860 MPa

Distribution plate for 2TTR-E15 anchorage (max. working load 37,564 kg) A x A x H mm

Diam C	Diam B	RcK 20 MPa	RcK 25 MPa	RcK 30 MPa	RcK 35 MPa	RcK 40 MPa	RcK 45 MPa	S275JR H	S355JR H
(mm)	(mm)	AxA	AxA	AxA	AxA	AxA	AxA	(mm)	(mm)
150	115	*****	*****	*****	*****	*****	*****	*****	*****
160	115	*****	*****	*****	*****	*****	*****	*****	*****
170	115	225x225	*****	*****	*****	*****	*****	20	15
180	115	235x235	225x225	*****	*****	*****	*****	25	20
190	115	240x240	230x230	225x225	*****	*****	*****	30	25
200	115	250x250	240x240	235x235	225x225	225x25	*****	35	30

Distribution plate for 3TTR-E15 anchorage (max. working load 54,346 kg) A x A x H mm

Diam C	Diam B	RcK 20 MPa	RcK 25 MPa	RcK 30 MPa	RcK 35 MPa	RcK 40 MPa	RcK 45 MPa	S275JR H	S355JR H
(mm)	(mm)	AxA	AxA	AxA	AxA	AxA	AxA	(mm)	(mm)
150	115	235x235	*****	*****	*****	*****	*****	20	15
160	115	245x245	230x230	*****	*****	*****	*****	20	15
170	115	250x250	235x235	225x225	*****	*****	*****	25	20
180	115	255x255	240x240	235x235	225x225	*****	*****	25	20
190	115	265x265	250x250	240x240	235x235	225x225	*****	30	25
200	115	270x270	255x255	250x250	240x240	235x235	230x230	35	30

Distribution plate for 4TTR-E15 anchorage (max. working load 75,128 kg) A x A x H mm

Diam C	Diam B	RcK 20 MPa	RcK 25 MPa	RcK 30 MPa	RcK 35 MPa	RcK 40 MPa	RcK 45 MPa	S275JR H	S355JR H
(mm)	(mm)	AxA	AxA	AxA	AxA	AxA	AxA	(mm)	(mm)
150	115	260x260	240x240	230x230	*****	*****	*****	20	15
160	115	265x265	245x245	235x235	225x225	*****	*****	20	15
170	115	270x270	255x255	245x245	235x235	225x225	*****	25	20
180	115	280x280	260x260	250x250	240x240	235x235	255x255	30	25
190	115	285x285	265x265	255x255	245x245	240x240	235x235	30	25
200	115	290x290	275x275	265x265	255x255	250x250	245x245	35	30

Distribution plate for **5TTR-E15** anchorage (max. working load 93,910 kg) A x A x H mm

Diam C	Diam B	RcK 20 MPa	RcK 25 MPa	RcK 30 MPa	RcK 35 MPa	RcK 40 MPa	RcK 45 MPa	S275JR H	S355JR H
(mm)	(mm)	AxA	AxA	AxA	AxA	AxA	AxA	(mm)	(mm)
160	135	280x280	260x260	*****	*****	*****	*****	20	15
170	135	285x285	265x265	*****	*****	*****	*****	20	15
180	135	290x290	270x270	255x255	*****	*****	*****	25	20
190	135	295x295	275x275	265x265	255x255	*****	*****	25	20
200	135	300x300	285x285	270x270	260x260	255x255	*****	30	25
210	135	305x305	290x290	275x275	270x270	260x260	255x255	30	25
220	135	315x315	295x295	285x285	275x275	270x270	265x265	35	30

 Distribution plate for **6TTR-E15** anchorage (max. working load 112,692 kg) A x A x H mm

Diam C	Diam B	RcK 20 MPa	RcK 25 MPa	RcK 30 MPa	RcK 35 MPa	RcK 40 MPa	RcK 45 MPa	S275JR H	S355JR H
(mm)	(mm)	AxA	AxA	AxA	AxA	AxA	AxA	(mm)	(mm)
180	158	310x310	*****	*****	*****	*****	*****	20	15
190	158	315x315	295x295	*****	*****	*****	*****	20	15
200	158	320x320	300x300	*****	*****	*****	*****	25	20
210	158	325x325	305x305	290x290	*****	*****	*****	25	20
220	158	330x330	310x310	295x295	285x285	*****	*****	30	25
230	158	335x335	315x315	305x305	295x295	285x285	*****	30	25
240	158	345x345	325x325	310x310	300x300	295x295	285x285	35	30
250	158	350x350	330x330	320x320	310x310	305x305	295x295	35	30

 Distribution plate for **7TTR-E15** anchorage (max. working load 131,474 kg) A x A x H mm

Diam C	Diam B	RcK 20 MPa	RcK 25 MPa	RcK 30 MPa	RcK 35 MPa	RcK 40 MPa	RcK 45 MPa	S275JR H	S355JR H
(mm)	(mm)	AxA	AxA	AxA	AxA	AxA	AxA	(mm)	(mm)
210	185	340x340	310x310	*****	*****	*****	*****	20	15
220	185	345x345	325x325	*****	*****	*****	*****	20	15
230	185	350x350	330x330	315x315	*****	*****	*****	25	20
240	185	355x355	335x335	320x320	*****	*****	*****	25	20
250	185	365x365	345x345	330x330	320x320	*****	*****	30	25
260	185	370x370	350x350	335x335	325x325	320x320	*****	30	25
270	185	380x380	360x360	345x345	335x335	325x325	320x320	35	30

 Distribution plate for **8TTR-E15** anchorage (max. working load 150,256 kg) A x A x H mm

Diam C	Diam B	RcK 20 MPa	RcK 25 MPa	RcK 30 MPa	RcK 35 MPa	RcK 40 MPa	RcK 45 MPa	S275JR H	S355JR H
(mm)	(mm)	AxA	AxA	AxA	AxA	AxA	AxA	(mm)	(mm)
230	205	365x365	345x345	325x325	*****	*****	*****	20	15
240	205	375x375	350x350	335x335	320x320	*****	*****	20	15
250	205	380x380	355x355	340x340	330x330	320x320	*****	25	20
260	205	385x385	365x365	345x345	335x335	325x325	320x320	25	20
270	205	390x390	370x370	355x355	345x345	335x335	325x325	30	25
280	205	395x395	375x375	360x360	350x350	435x345	335x335	30	25
290	205	400x400	380x380	370x370	360x360	350x350	345x345	35	30